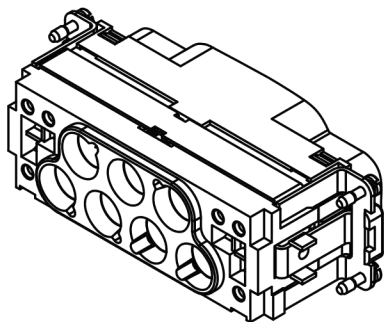
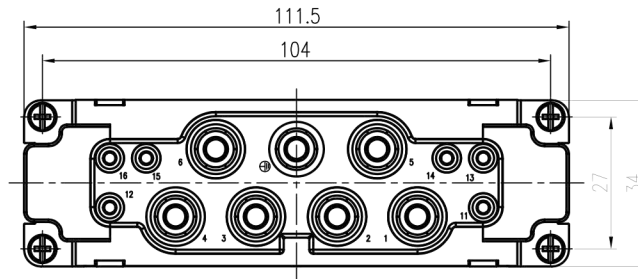
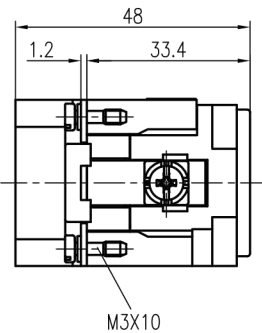


A

B



技术参数:

插芯:

- 插针数: 6/6+PE

- 额定电流:

· 电力区: 100A

· 信号区: 16A

- 额定电压:

· 电力区: 690V

· 信号区: 400V

- 额定脉冲电压:

· 电力区: 8kV

· 信号区: 6kV

- 污染等级: 3

- 依据UL的额定电压: 600V/300V

- 依据CSA的额定电压: 600V/600V

- 依据CSA的额定电流: 100A/15A

- 绝缘阻抗: $> 10^{10}\Omega$

- 材料: 聚碳酸酯

- 颜色: RAL 7032 (浅灰色)

- 温度范围: $-40^{\circ}\text{C} - +125^{\circ}\text{C}$

- 依据UL 94的阻燃等级: V0

- 可插拔次数: > 500

插针:

- 接线方式: 轴向螺钉连接

- 材料: 铜合金

- 表面处理: 镀银

- 接触电阻:

· 强电针: $\leq 0.5\text{m}\Omega$ · 信号针: $\leq 3\text{m}\Omega$

- 线径范围:

· 强电针: $16-35\text{mm}^2(5-2 \text{ AWG})$ · 信号针: $0.2-2.5\text{mm}^2(24-13 \text{ AWG})$

- 拧紧力矩:

· 强电针:

mm²: 16 25 35

N·m: 6 7 8

· 信号针: $0.8\text{N}\cdot\text{m}$

- 剥线长度:

· 电力区: $13^{\pm 1}\text{mm}$ · 信号区: 7.5mm

Technical specification:

Insters:

- No. of contact: 6/6+PE

- Rated current:

· Power area: 100A

· Signal area: 16A

- Rated voltage:

· Power area: 690V

· Signal area: 400V

- Rated impulse voltage:

· Power area: 8kV

· Signal area: 6kV

- Pollution degree: 3

- Rated voltage acc.to UL: 600V/300V

- Rated voltage acc.to CSA: 600V/600V

- Rated current acc.to CSA: 100A/15A

- Insulation resistance: $> 10^{10}\Omega$

- Material: polycarbonate

- Colour: RAL 7032(light grey)

- Temperature range: $-40^{\circ}\text{C} - +125^{\circ}\text{C}$

- Flammability acc.to UL 94: V0

- Mating cycles: > 500

Contacts:

- Terminal: axial screw terminal

- Material: copper alloy

- Surface: hard-silver plated

- Contact resistance:

· Power contacts: $\leq 0.5\text{m}\Omega$ · Signal contacts: $\leq 3\text{m}\Omega$

- Wire gauge:

· Power contacts: $16-35\text{mm}^2(5-2 \text{ AWG})$ · Signal contacts: $0.2-2.5\text{mm}^2(24-13 \text{ AWG})$

- Tightening torque:

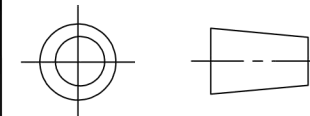
· Power contacts:

mm²: 16 25 35

N·m: 6 7 8

· Signal contacts: $0.8\text{N}\cdot\text{m}$

- Stripping length:

· Power contacts: $13^{\pm 1}\text{mm}$ · Signal contacts: 7.5mm 

订货号 Order No.

版本
REV重量
weight比例
Scale

产品代号 Part Code

V1.0

1:1

SO-HK-006/6-M

浙江思美克电气科技有限公司
ZHEJIANG SMICO ELECTRICAL TECHNOLOGY CO.,LTD